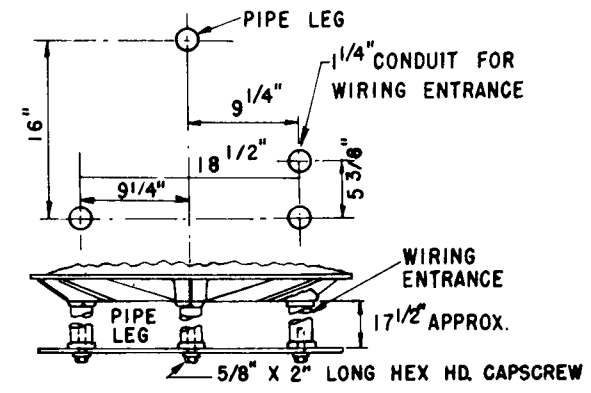
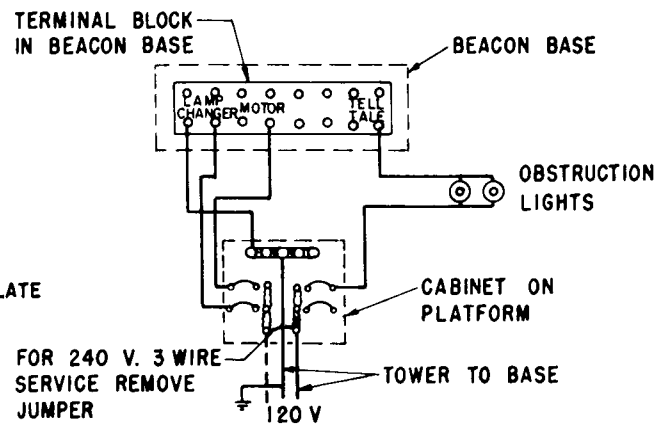


(a) BEACON MOUNTED ON TOWER PLATFORM



(b) BEACON BASE MOUNTING DIMENSIONS



(c) BEACON WITH OBSTRUCTION LIGHTS

WHERE OBSTRUCTION LIGHTS BURN AFTER FAILURE OF NORMAL LAMP

FIGURE 1. 36-INCH ROTATING BEACON

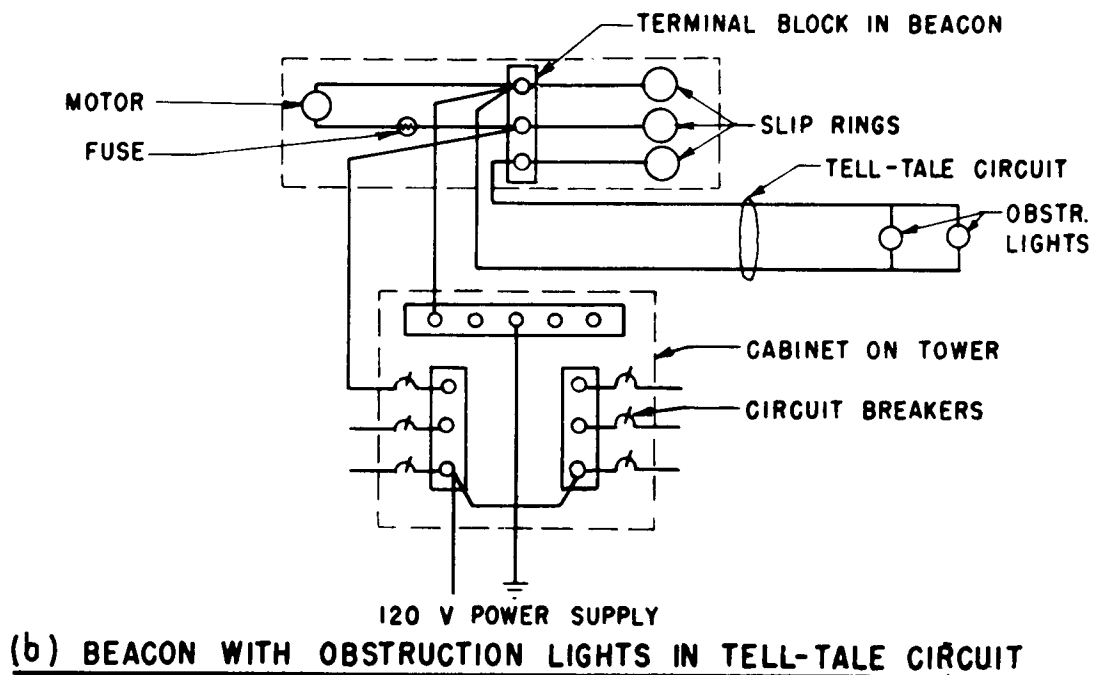
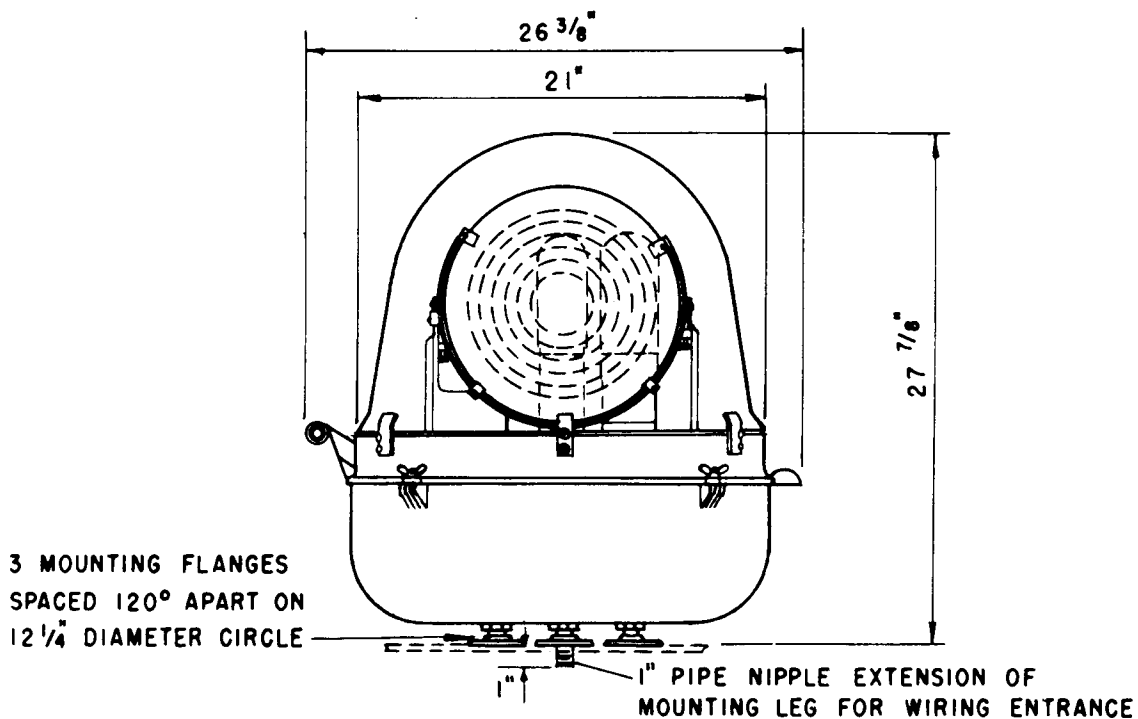
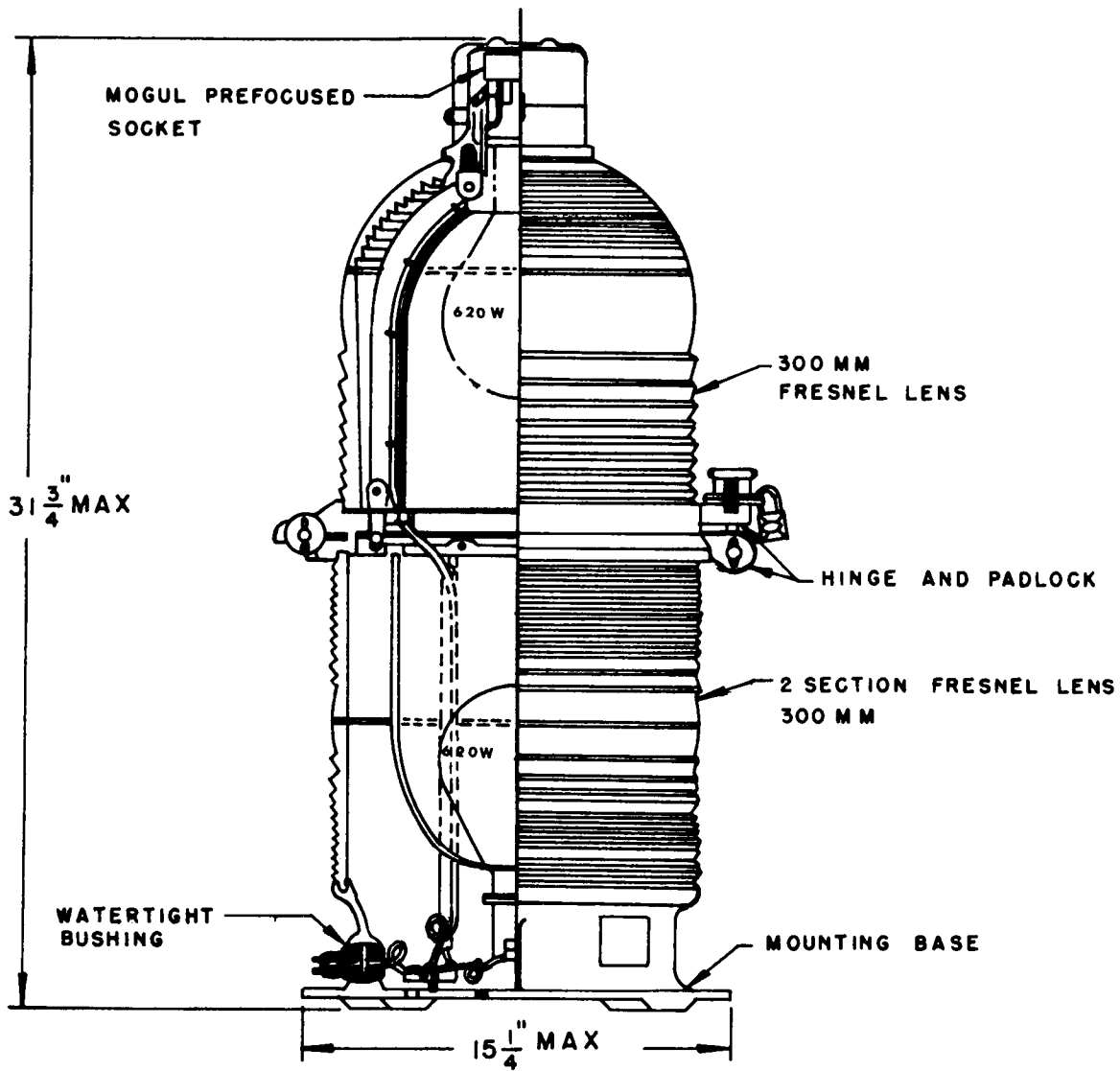
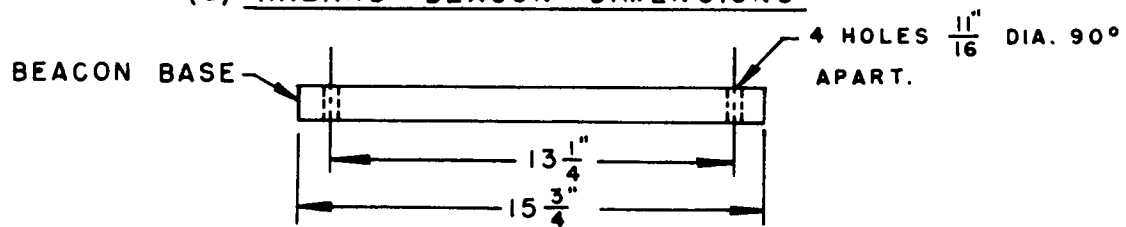


FIGURE 2. 10-INCH ROTATING BEACON

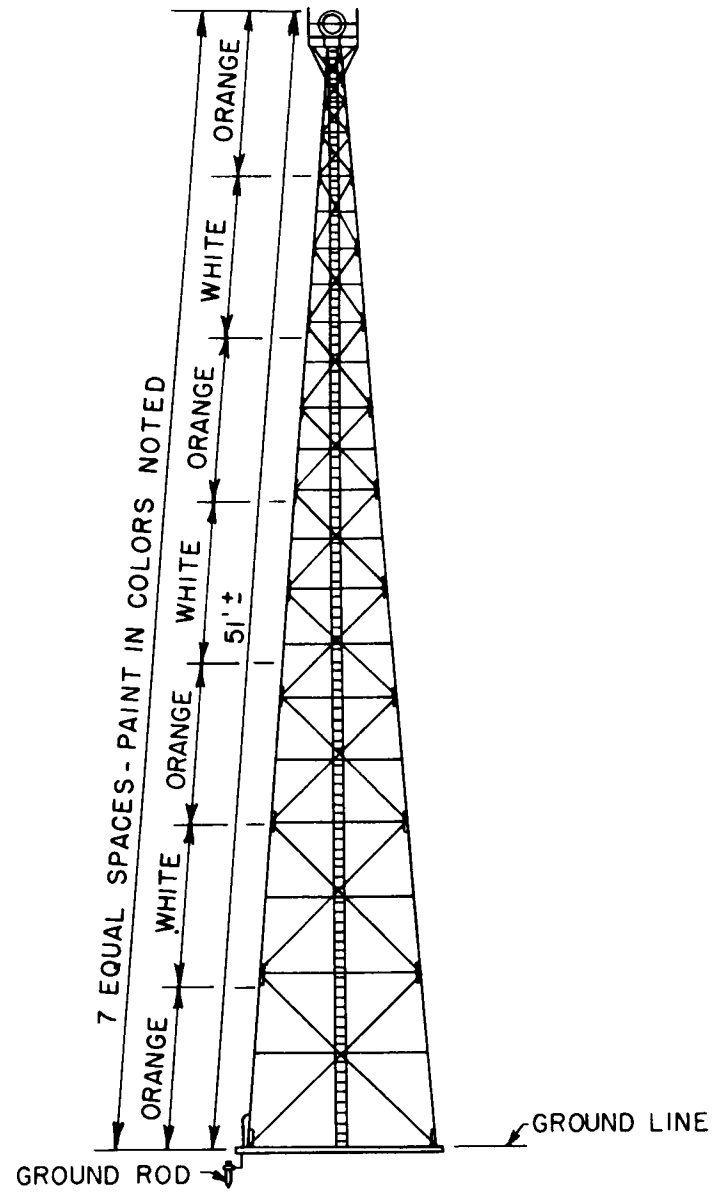


(a) HAZARD BEACON DIMENSIONS



(b) BEACON MOUNTING DIMENSIONS

FIGURE 3. HAZARD BEACON (FLASHING RED)



(a) BEACON TOWER COLOR SCHEME

FIGURE 4. STRUCTURAL STEEL BEACON TOWER AND COLOR SCHEME